

WPVH 柱塞泵系列 WPVH SERIES PISTON PUMPS



WPVH柱塞泵是大流量、高性能的直轴变量泵，使用范围广泛。

PVH high flow, high performance pumps are a family of variable displacement.

产品特征和优点

- ① 直轴变量泵: 灵活的设计包括单联泵, 通轴驱动配置以及各种驱动轴伸和控制方式, 最大限度提高工作的灵活性。
- ② 小而轻的设计减小应用重量并为安装和维修提供便利。
- ③ 低噪音设计为重视噪声的工业用途所采用。
- ④ 在各种用途中均针对最高效率来设计各种补偿器提供最为有效的系统控制。
- ⑤ 重载轴承和轴伸造成最小的内部变形和磨损, 提高使用寿命。
- ⑥ 广泛应用于土方机械、建筑机械、塑料机械、机床等领域。

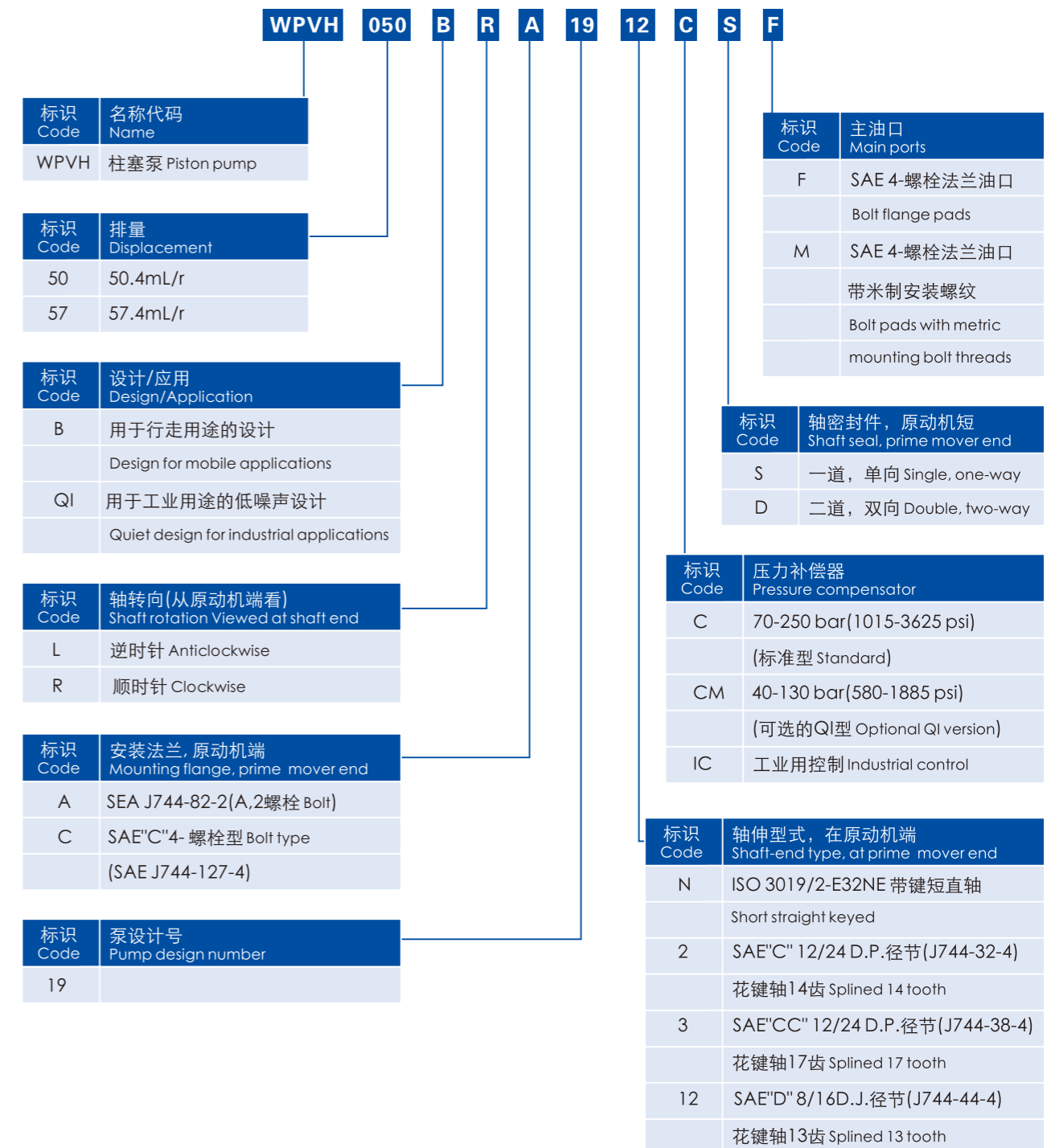
Features and Advantages

- ① Inline, variable displacement pump. Versatile design includes single pumps, thru-drive arrangements, and a variety of drive shaft and control options that will adapt to any application and provide the most cost effective installation.
- ② Compact and lightweight design to reduce the application weight, and provide better access for installation and servicing.
- ③ Quiet designs available for noise-sensitive industrial applications, reducing sound levels further to provide a more acceptable environment.
- ④ Designed for maximum efficiency in any type of application.
- ⑤ Heavy duty bearings and shafts result in minimum internal deflections and wear, providing for longer life and maximum uptime.
- ⑥ Widely used in metallurgy, mining, industry, engineering machinery field.

技术参数 (TECHNICAL PARAMETERS)

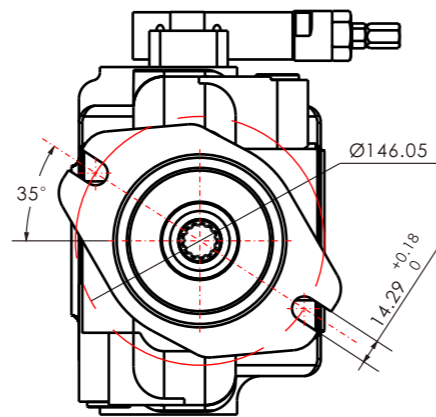
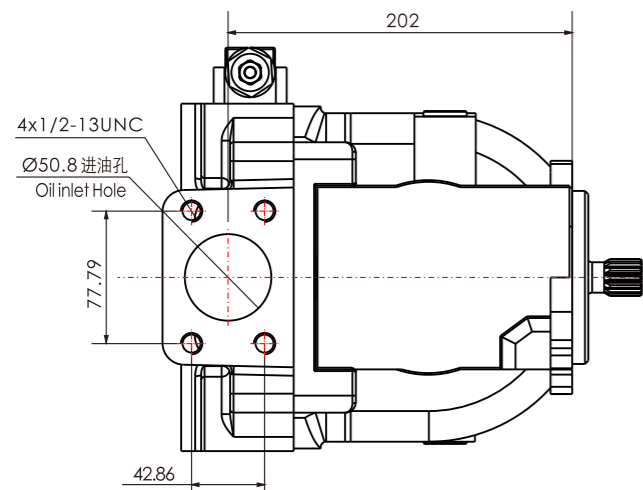
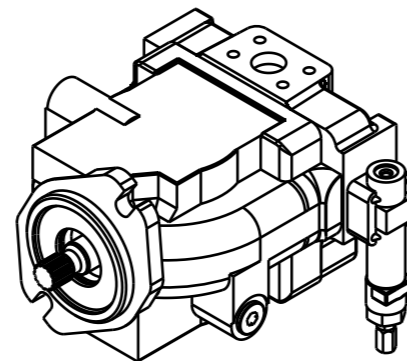
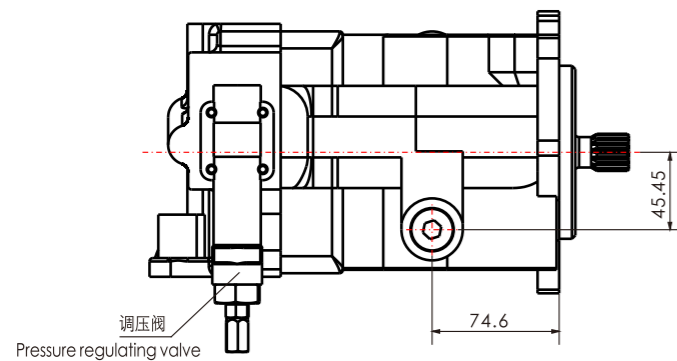
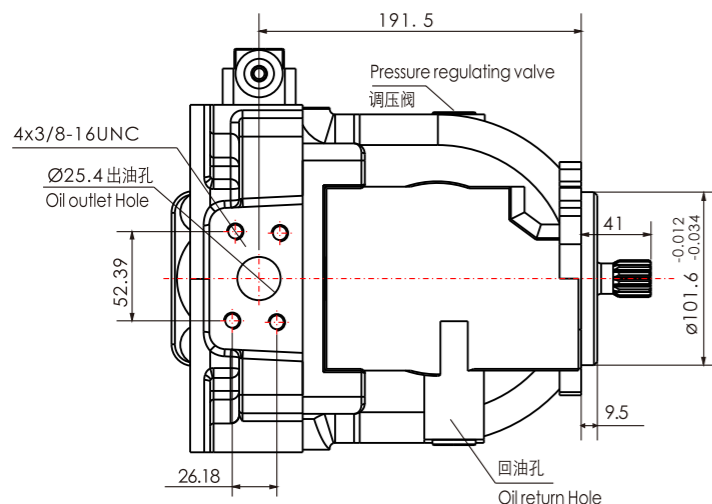
型号	Model	WPVH50	WPVH57
排量	Displacement	50.4mL/r	57.4mL/r
额定转速	Rated Speed	1800r/min	
进口压力	Inlet Pressure	(0.8~3)bar	
额定压力	Rated Pressure	250bar	
旋向(从原动机端看)	Rated Direction	R- 顺时针 Clockwise ; L: 逆时针 Anticlockwise	
工作方式	Working Mode	开式系统 Open-type System	

型号编码 (WPVH SERIES TYPE CODE)



安装尺寸图

SLNSTALLATION DIMENSIONS



WPVB 柱塞泵系列

WPVB SERIES PISTON PUMPS

控制方式

- ① 带或不带远程控制装置的压力补偿器
- ② 带可调排量控制的压力补偿器
- ③ 负载传感补偿器
- ④ 手轮控制

Control Mode

- ① Pressure compensator with or without a remote control facility.
- ② Pressure compensator with a djustable displacement control.
- ③ Load sensing compensator.
- ④ Handwheel control.



WPVB柱塞泵是轻型斜盘式轴向泵，包括定量型和变量型，使用各种液压油均能达到很高的性能指标和效率。定量型的容积效率和机械效率很高；变量型能与压力和/或流量的需要紧密匹配，有多种控制方式，使用范围广。

Both fixed and variable displacement models make up this range of axial piston pumps. Their high performance ratings and efficiencies are achieved with a variety of hydraulic fluids. Fixed displacement models are noted for their volumetric and mechanical efficiencies. Variable displacement models can closely match pressure and/or flow demand. There are several ways to control.

技术参数 (TECHNICAL PARAMETERS)

型 号 Model	WPVB29
排 量 Displacement	61.6mL/r
轴 旋 向 Shaft rotation	R- 顺时针Clockwise ; L- 逆时针Anticlockwise
额定转速 Rated Speed	1800r/min
进口压力 Inlet Pressure	1bar
额定压力 Rated Pressure	14bar
推荐油液 Recommended Oil	L-HM46(夏天Summer) ; L-HM32(冬天Winter)
工作方式 Working Mode	开式系统 Open-type System